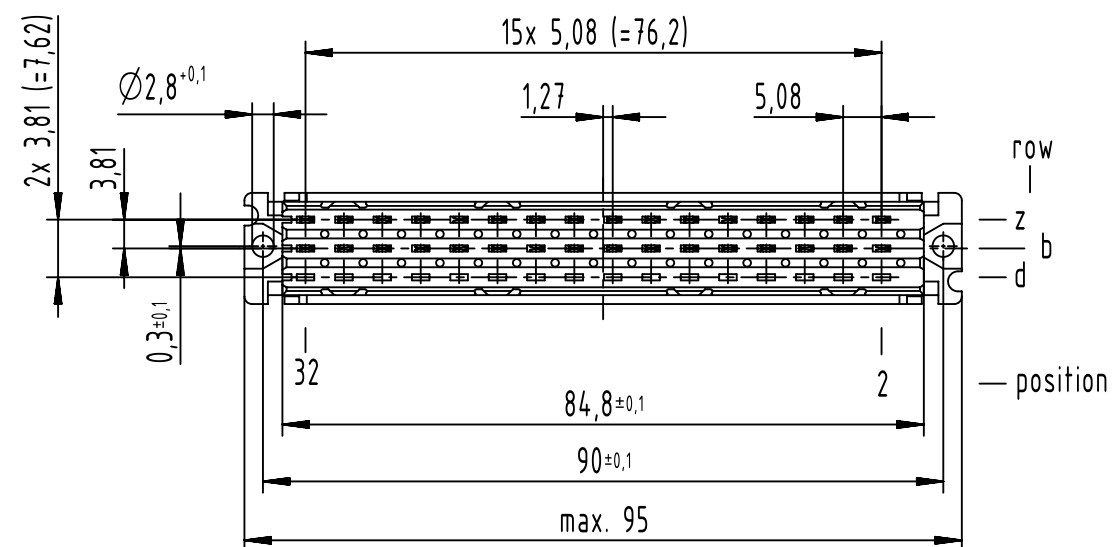
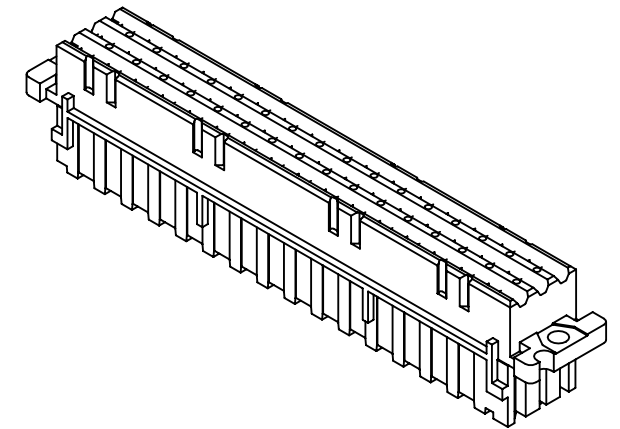
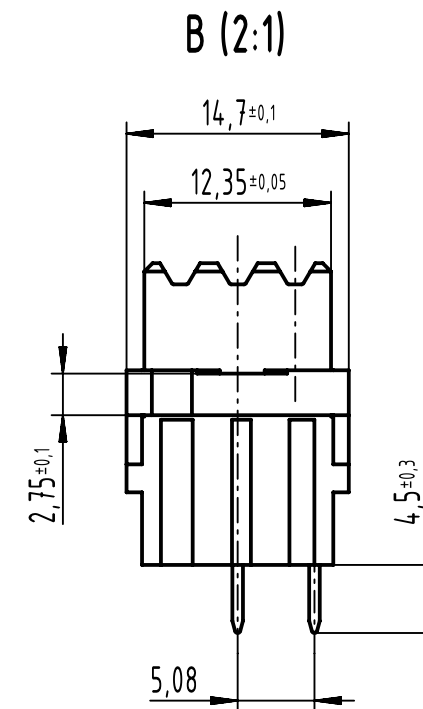
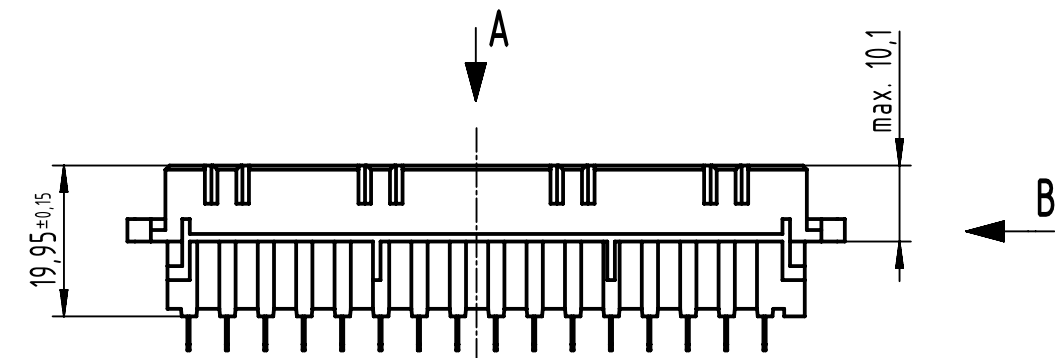
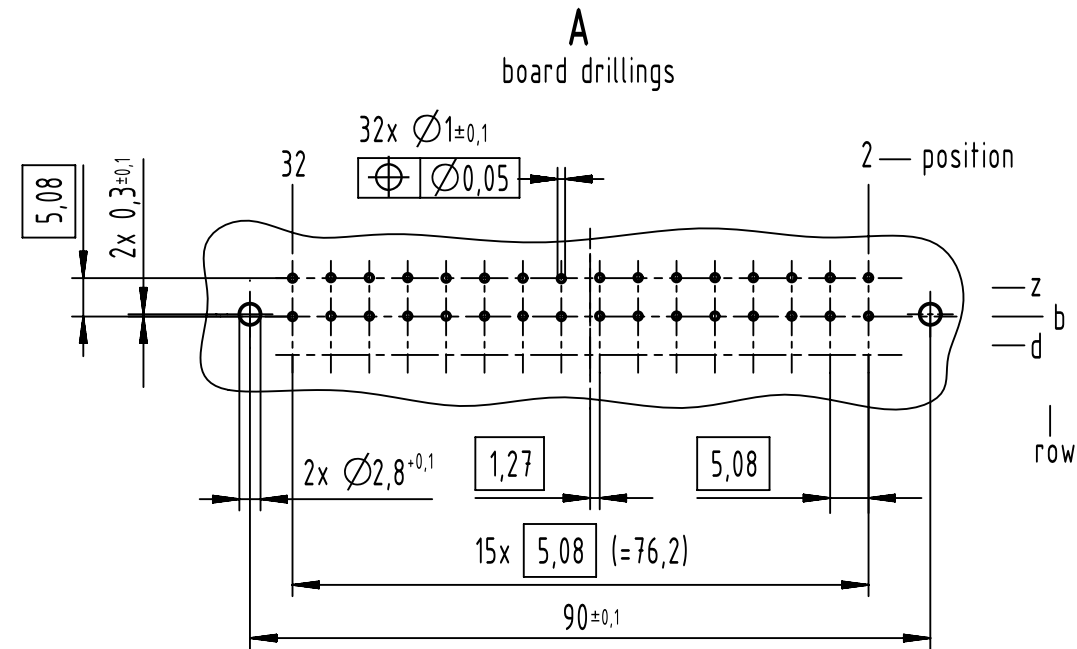


32 solder-contacts

⊗ = solder-contact

□ = position without contact



further information see product data sheet

09 06 232 6835	2
09 06 232 2835	1
part no.	performance level

All Dimensions in mm Original Size DIN A3		Scale 1:1	Free size tol. IEC 60603-2	Ref.
All rights reserved Department EL PD		Created by STORCK	Inspected by LEHNERT	Standardisation 302077
HARTING D-32339 Espelkamp		Title DIN Power type F female solder 4.5 32-pole		Date 2021-05-06 State Final Release
		Type TB	Number 0906232X835	Doc-Key / ECM-Nr. 100072612/UGD/003/D 500000194.4.17 Rev. D Page 1/1